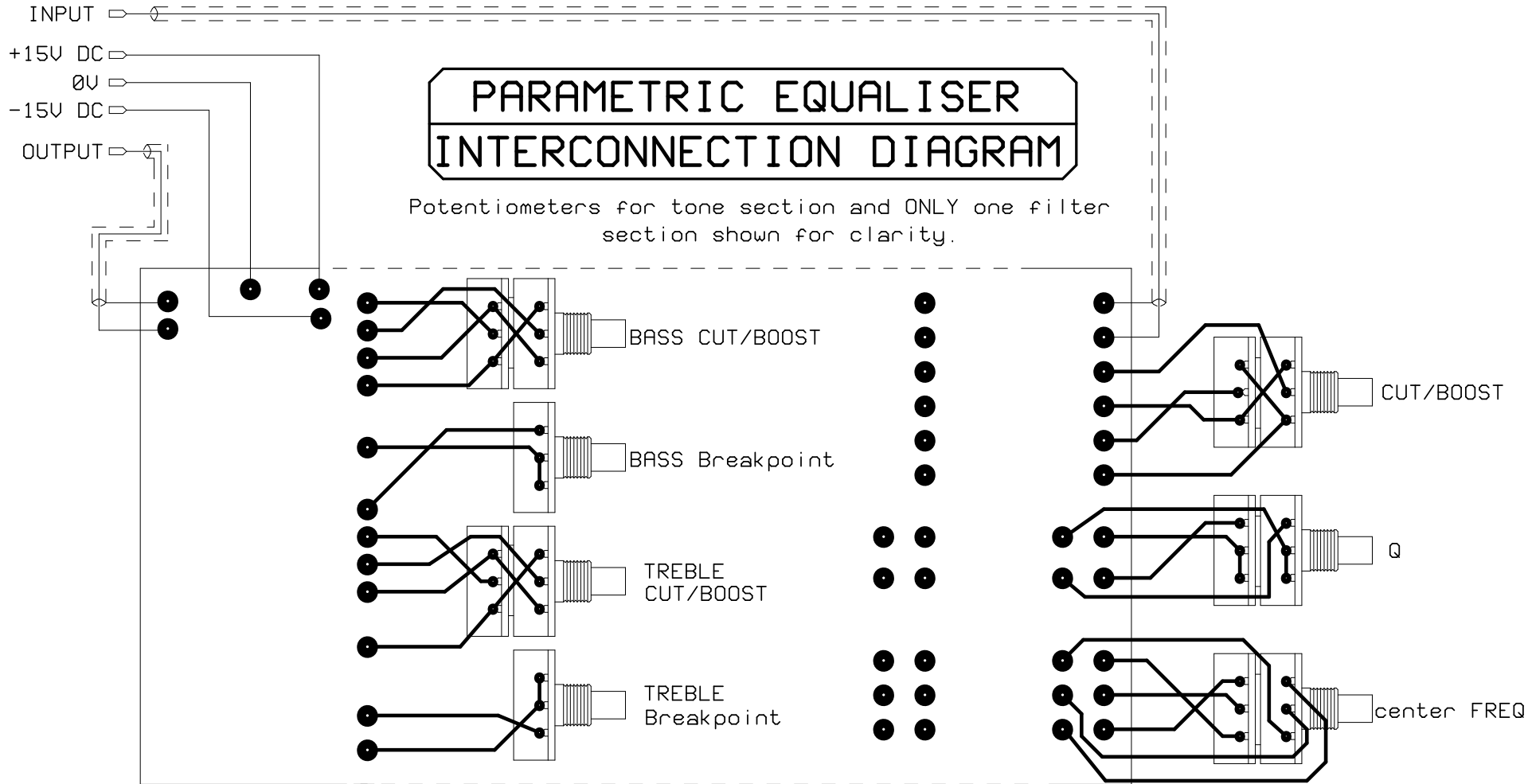


# PARAMETRIC EQUALISER INTERCONNECTION DIAGRAM

Potentiometers for tone section and ONLY one filter section shown for clarity.



THIS IS COMPONENT SIDE VIEW OF PCB