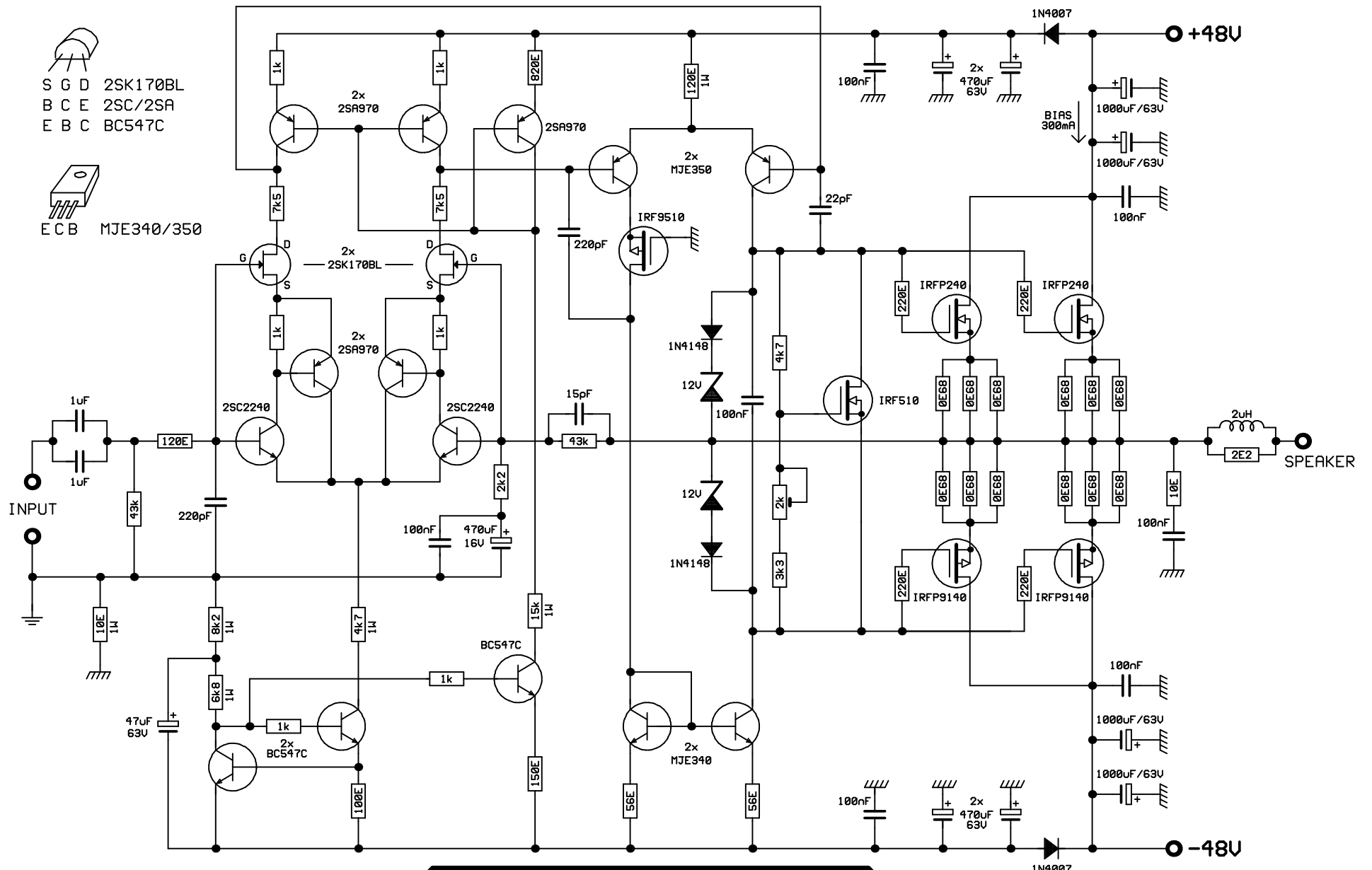




S G D 2SK170BL  
 B C E 2SC/2SA  
 E B C BC547C



ECB MJE340/350



**EPSILON-LAVARDIN**  
 Schematic design: Dr. Borivoje Jagodic  
 PCB design: Viktor Bradjan