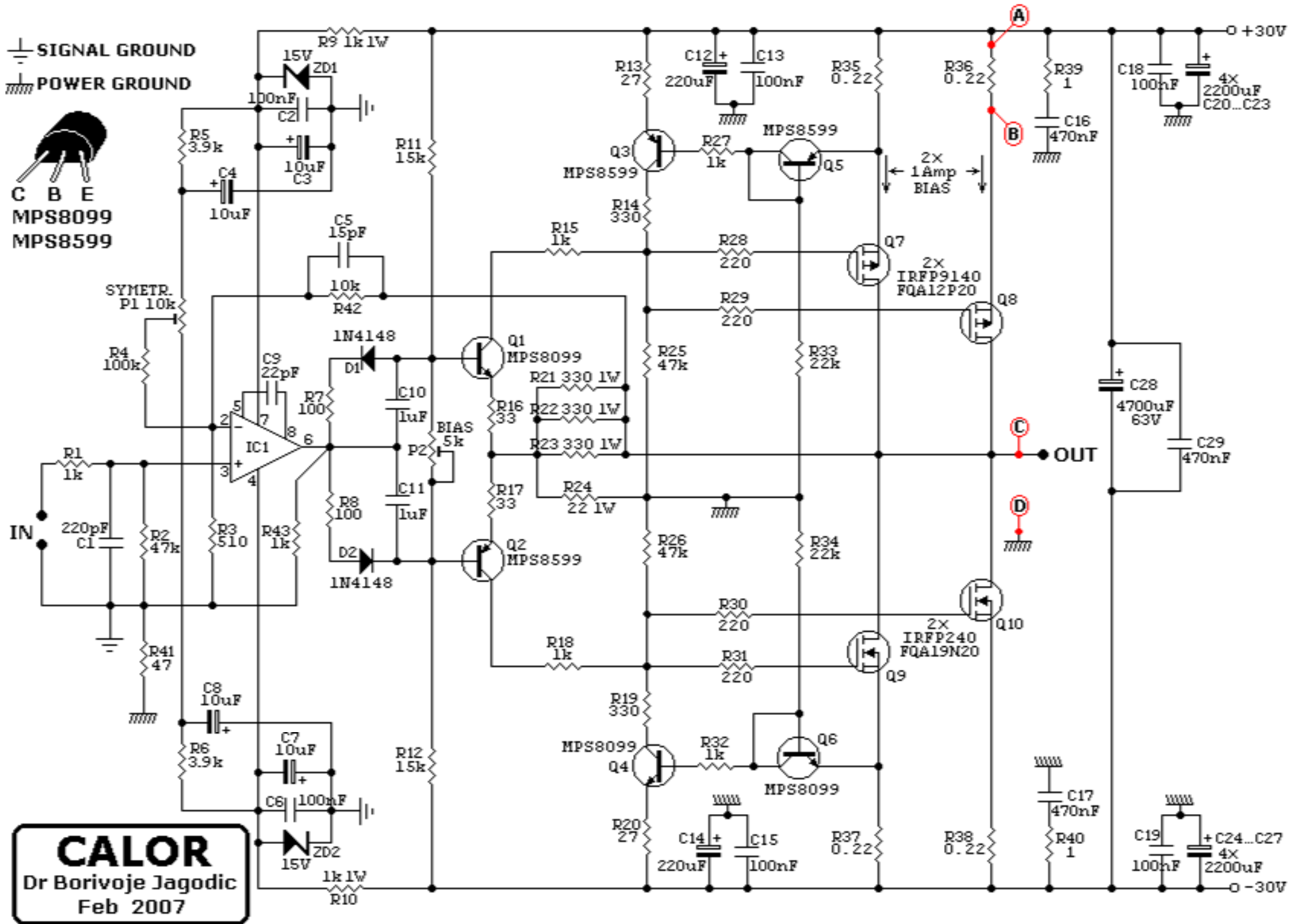


SIGNAL GROUND
POWER GROUND



CALOR
Dr Borivoje Jagodic
Feb 2007